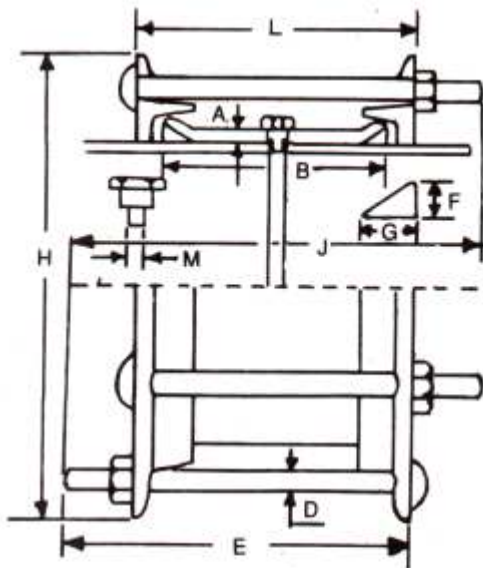


# PE Coupling (Fish Bolt Type) (Simillar to style 129)

**Table 1.- Style 129 Standard coupling for steel and cast iron pipes.**

OD mm	Middlring thickness x length AxB	Number of bolts -DxE	Rubber gasket FxG	H	J	L	Number of locating plugs	Maximum test pressure Kg/cm <sup>2</sup>	Weight kg (approx.) ± 5%
60.3	4.8x83	2-1/2 x 140	9.5x22	138	181	137	1	50	2.1
73	4.8x102	2-1/2 x 152	9.5x22	148	191	137	1	50	2.5
76.1	4.8x102	2-1/2 x 152	9.5x22	154	191	137	1	50	2.5
88.9	4.8x102	3-1/2 x 152	9.5x22	167	191	137	1	50	3.5
101.6	4.8x102	3-1/2 x 152	9.5x22	179	191	137	1	50	3.6
108	4.8x102	3-1/2 x 152	9.5x22	186	191	137	1	50	3.7
114.3	4.8x102	3-1/2 x 152	9.5x22	192	191	137	1	50	4.0
133	4.8x102	4-1/2 x 152	9.5x22	216	198	138	1	50	5.2
139.7	4.8x102	4-1/2 x 152	9.5x22	222	198	138	1	50	5.5
141.1	6.4x102	4-1/2 x 171	12.7x25.4	254	220	148	1	50	8.2
165.1	6.4x102	4-1/2 x 171	12.7x27	260	220	148	1	50	8.5
168.3	6.4x102	4-1/2 x 171	12.7x27	264	226	149	1	50	9.5
219.1	6.4x102	5-1/2 x 178	12.7x27	315	239	149	1	50	11.5
273.1	6.4x102	6-1/2 x 178	12.7x27	369	239	149	2	30	14.0
323.9	6.4x102	6-1/2 x 178	12.7x27	420	239	149	2	30	16.0
355.6	6.4x155	6-1/2 x 240	12.7x29.4	455	312	210	2	30	28
406.4	6.4x155	6-1/2 x 240	12.7x29.4	506	312	210	2	30	32
457.2	6.4x155	6-1/2 x 240	12.7x29.4	557	312	210	2	25	34
508	6.4x155	10-1/2 x 240	12.7x29.4	608	312	210	3	25	39
558.8	6.4x155	12-1/2 x 240	12.7x29.4	658	312	210	3	25	42
609.6	6.4x155	12-1/2 x 240	12.7x29.4	709	312	210	3	25	44



**Table 2.- Style 129 Super coupling for steel and cast iron pipes.**

OD mm	Middlring thickness x length AxB	Number of bolts -DxE	Rubber gasket FxG	H	J	L	Maximum test pressure Kg/cm <sup>2</sup>	Weight kg (approx.) ± 5%
219.1	9.5x155	5-1/2 x 240	12.7x27	316	307	194	50	19
273.1	9.5x155	6-1/2 x 240	12.7x27	373	307	201	40	25
323.9	9.5x155	6-1/2 x 240	12.7x27	423	307	201	35	29
356.6	9.5x155	6-1/2 x 240	12.7x29.4	455	312	210	35	32
406.4	9.5x155	8-1/2 x 240	12.7x29.4	506	312	210	35	36
457.2	9.5x155	8-1/2 x 240	12.7x29.4	557	312	210	35	40
508	9.5x155	10-1/2 x 240	12.7x29.4	608	312	210	30	45
558.8	9.5x155	12-1/2 x 240	12.7x29.4	658	312	210	30	48
609.6	9.5x155	12-1/2 x 240	12.7x29.4	709	312	210	30	52
660.4	9.5x155	12-1/2 x 240	12.7x29.4	760	312	210	30	56
711.2	9.5x155	14-1/2 x 240	12.7x29.4	811	312	210	25	59
762	9.5x155	14-1/2 x 240	12.7x29.4	862	312	210	25	64
812.8	9.5x155	14-1/2 x 240	12.7x29.4	912	312	210	25	69