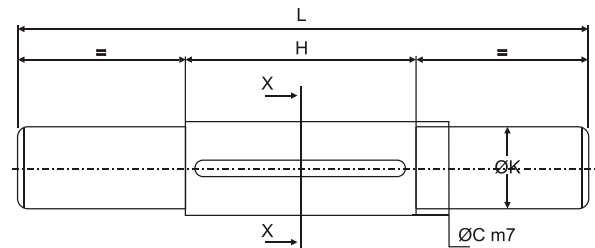
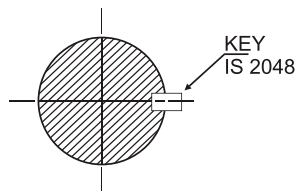
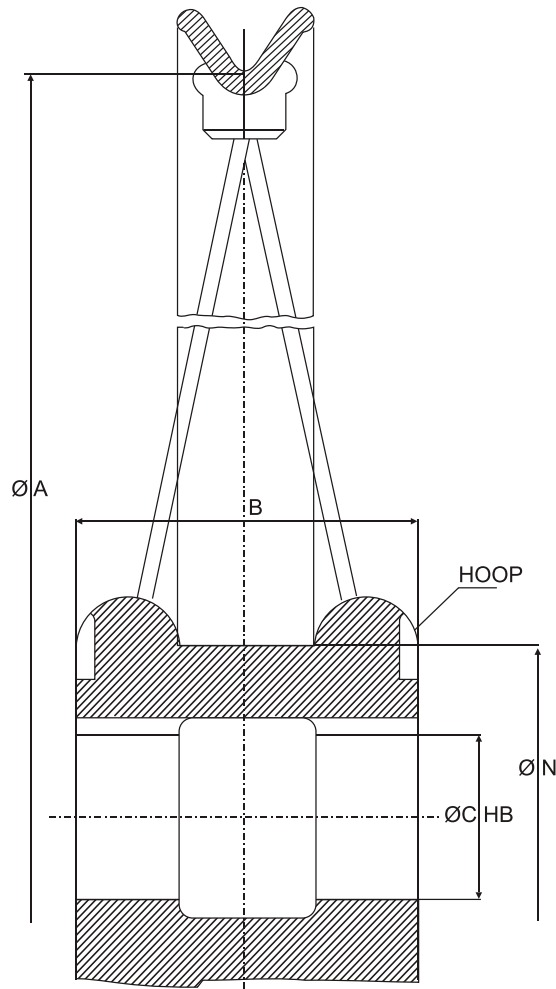




HEAD GEAR PULLEY



DIMENSION OF HEAD GEAR SHEAVES

TYPE A – Sheaves cast in one piece (Sheave diameter from 1350 to 2800 mm)

'NMC' Head Gear Pulley are supplied conforming to IS 9239: 1999

Materials used are of following specification

- 1) CASTING : Conforms to Grade 25 of IS 210
- 2) AXLE : Axle is of Class 5 of IS 1875.
- 3) SPOKES : Conforms to IS 8500.
 - i) All Castings are tested ultrasonically / radiographically to ensure that it is free from blow holes, porosity, hard spot cold sheets and other harmful defects.
 - ii) Axles are carefully forged and machined to specified tolerances in order to avoid any possible notch effect.
 - iii) Hoops (shrink Rings) are provided ready for shrinking on hub.
 - iv) Spokes are to have sound connection with rim and hub.
 - v) Two inspection holes of 6mm dia and plugged with copper rivets are provided for measuring the thickness of material in tread. These sheaves are supplied duly Static Balanced.

These Head Gear Sheaves are available in various sizes upto and including 4800mm dia sheave. Small sizes upto 2800mm are available in single casting version while larger sizes are in two halves bolted together.

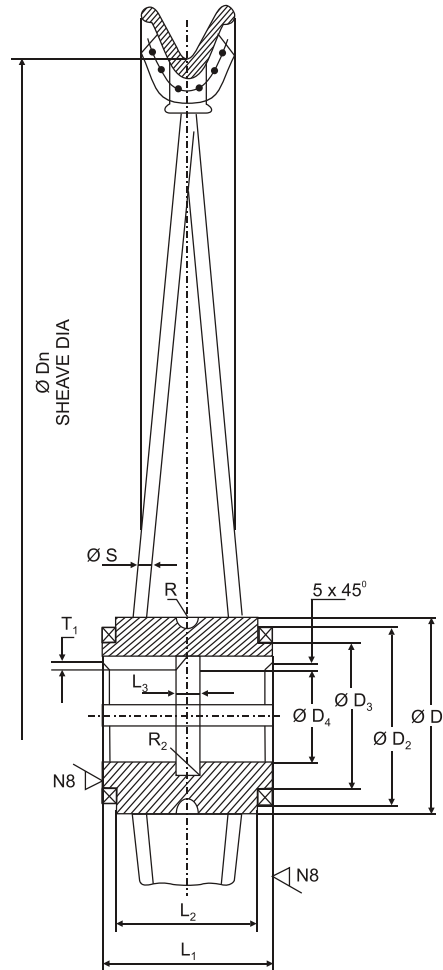
DIMENSIONS

Sl. No.	Diameter Of Sheave A	Static Rope Tension		B	C	H	L	K	N	Diam eter spoke	Number of spokes	Suitable for Steel wire rope of size Max	Key Size
		kN	t										
(1)	(2)	(3)	(4)	(5)	(6)	(7)	(8)	(9)	(10)	(11)	(12)	(13)	(14)
1	1350	13.0	1.325	265	100	320	740	85	220	16	12	14	25 x 14
2	1800	27.5	2.8	265	130	320	800	115	280	20	16	18	28 x 16
3	2100	37.5	3.82	280	150	330	830	120	310	22	20	21	28 x 16
4	2600	64.5	6.57	320	180	370	890	150	350	25	24	27	32 x 18
5	2800	111.5	11.36	320	190	370	900	160	360	28	24	28	32 x 18





DIMENSION OF HEAD GEAR SHAVES



DIMENSION OF HEAD GEAR SHEAVES

TYPE B – Sheaves cast in two halves and bolted together at hub and also at rim

DIEMENSION

Sl. No.	$D_n \pm 2.0$	D1	D2	D3	D4	$\varnothing S$	L.1	L.1	1.3	R	T1
(1)	(2)	(3)	(4)	(5)	(6)	(7)	(8)	(9)	(10)	(11)	(12)
1	3000	425	405	325	205	30	380	310	50	35	11.4
2	3200	440	425	345	215	32	380	310	50	35	11.4
3	3400	475	455	375	235	38	380	310	50	35	13.4
4	3600	500	480	400	235	38	380	310	55	35	13.4
5	3800	550	530	450	255	40	410	340	60	35	13.4
6	4000	600	580	500	255	40	440	370	60	40	13.4
7	4200	650	630	550	275	42	460	390	65	40	12.4
8	4400	700	680	600	295	45	480	410	70	40	14.4
9	4600	750	730	650	295	47	490	420	70	40	14.4
10	4800	800	780	700	315	50	510	440	75	40	14.4



NANDA MILLAR COMPANY

Office : 32A, Chittaranjan Avenue, 2nd Floor, Kolkata-700 012. India. Tel : +91 33 2212 3530 / 3531 / 1783

Fax : +91 33 2212 2070. E-mail : nmc@nandagroup.com URL : www.nandagroup.com



An ISO 9001 : 2000 Registered Company

05/14/10