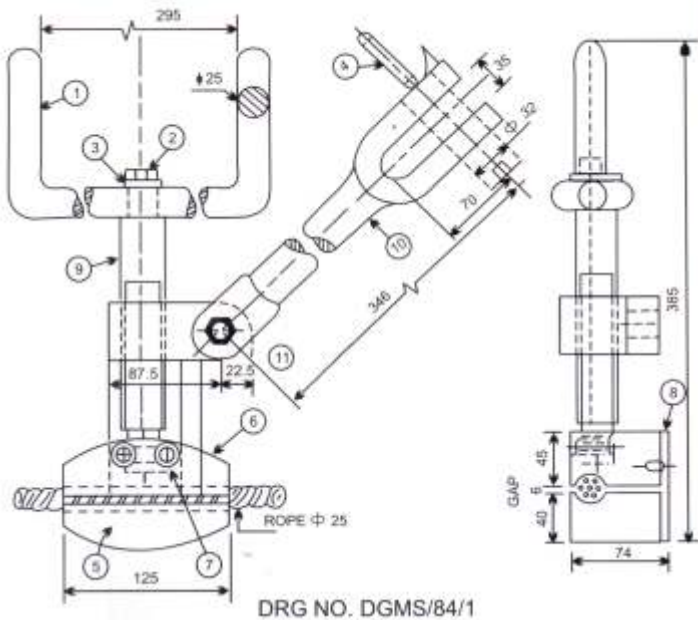




ENDLESS HAULAGE CLIP & SMALLMAN CLIP

NMC ENDLESS HAULAGE CLIPS CONFORM TO DGMS TECH. CIRCULAR NO. 3. OF 1985
SCREW CLIP



Screw Clips are made from tested steel & are of weldless construction
They are provided with square thread for easier manoeuvrability

SL. NO.	NAME OF PARTS	NO. OFF	MAT SPECIFICATION
11	BOLT WITH NUT	1 SET	20C 15 of IS : 5517 : 2004
10	HOOK	1	20C 15 of IS : 5517 : 2004
9	SPINDLE ADJUSTING BOLT	1	20C 15 of IS : 5517 : 2004
8	SUPPER JAW BACK COVER	1	20C 15 of IS : 5517 : 2004
7	C.S.K. SCREW M10x1.25 x 25LTH	2	20C 15 of IS : 5517 : 2004
6	UPPER JAW	1	20C 15 of IS : 5517 : 2004 IS : 1570-61/IS:1030-74,GR.-23-45
5	LOWER JAW WITH BODY	1	20C 15 of IS : 5517 : 2004
4	LOCKING DEVICE	1	20C 15 of IS : 5517 : 2004
3	WASHER M12	1	MS IS :- 2016 -1967
2	HEX SCREW M10x1.25 x 20 LTH	1	IS : 1365-1968*
1	HANDLE		20C 15 of IS : 5517 : 2004

Note : Details of parts are shown in following drawings bearing the serial numbers of parts.



NANDA MANUFACTURING COMPANY

Office : 32A, Chittaranjan Avenue, 2nd Floor, Kolkata-700 012. India. Tel : +91 33 2212 3530 / 3531 / 1783
Fax : +91 33 2212 2070. E-mail : nmc@nandagroup.com URL : www.nandagroup.com



An ISO 9001 : 2000
Registered Company